

# The Water Tank Aft of *Titanic's* First Funnel

---

By Bob Read, D.M.D.

## Introduction

This is an article that will be unlike most of my other articles. Usually, I try to prove my points with the best quality photos that I have available. Unfortunately, the photos which guided me in making new drawings of the water tank aft of *Titanic's* first funnel were provided to me with the stipulation that they not be made public. For a number of months, I have been hesitant to write an article where I couldn't use the best photos available. Finally, I have decided to go ahead and write this article. I will not be able to provide comprehensive proof based on photos but for what it's worth, I thought maybe modelers would rather have the information even if it didn't have rigorous proofs.

## Analysis

*Titanic* only had one visible water tank on her weather decks. This tank was a 220-gallon washing water tank which sat atop the fidley grating aft and to starboard of the first funnel. Photos from 1912 don't show the details of this tank very well. We have had to rely on wreck photos to provide most of our information. Figure 1 shows this tank on *Titanic's* wreck.



Figure 1

*Titanic's* only externally visible water tank

Figure 2 shows an overhead view of this tank on the wreck.



Figure 2

Overhead view of water tank on wreck

*Olympic* had an identical tank in the same location but the arrangement of the pipes was different than that on *Titanic*. Figure 3 shows a multi-view drawing of *Titanic's* water tank.

Go to next page

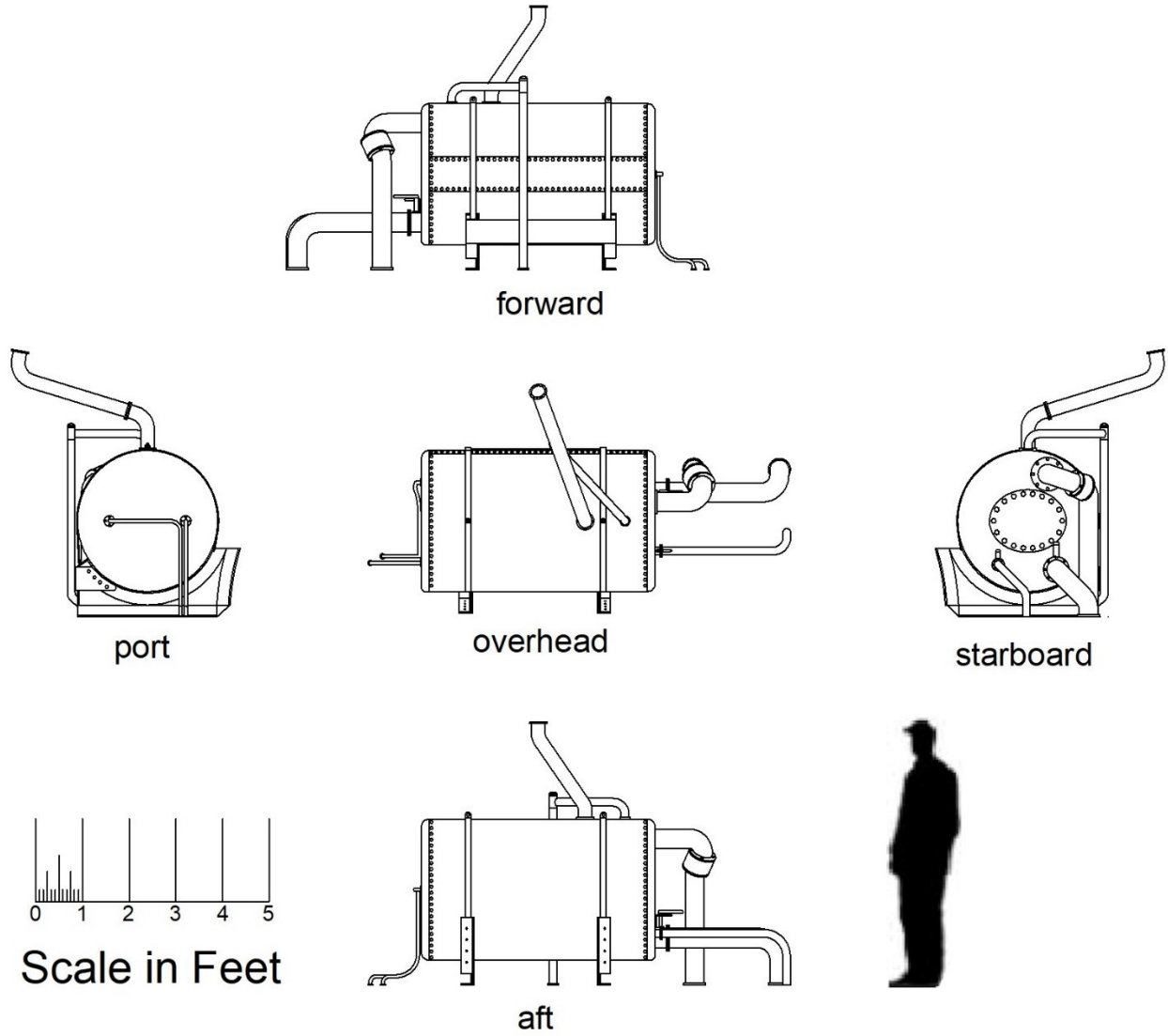


Figure 3

Figure 4 shows an elevation view from aft looking forward with connections to a pipe loop on the first funnel.

Go to next page

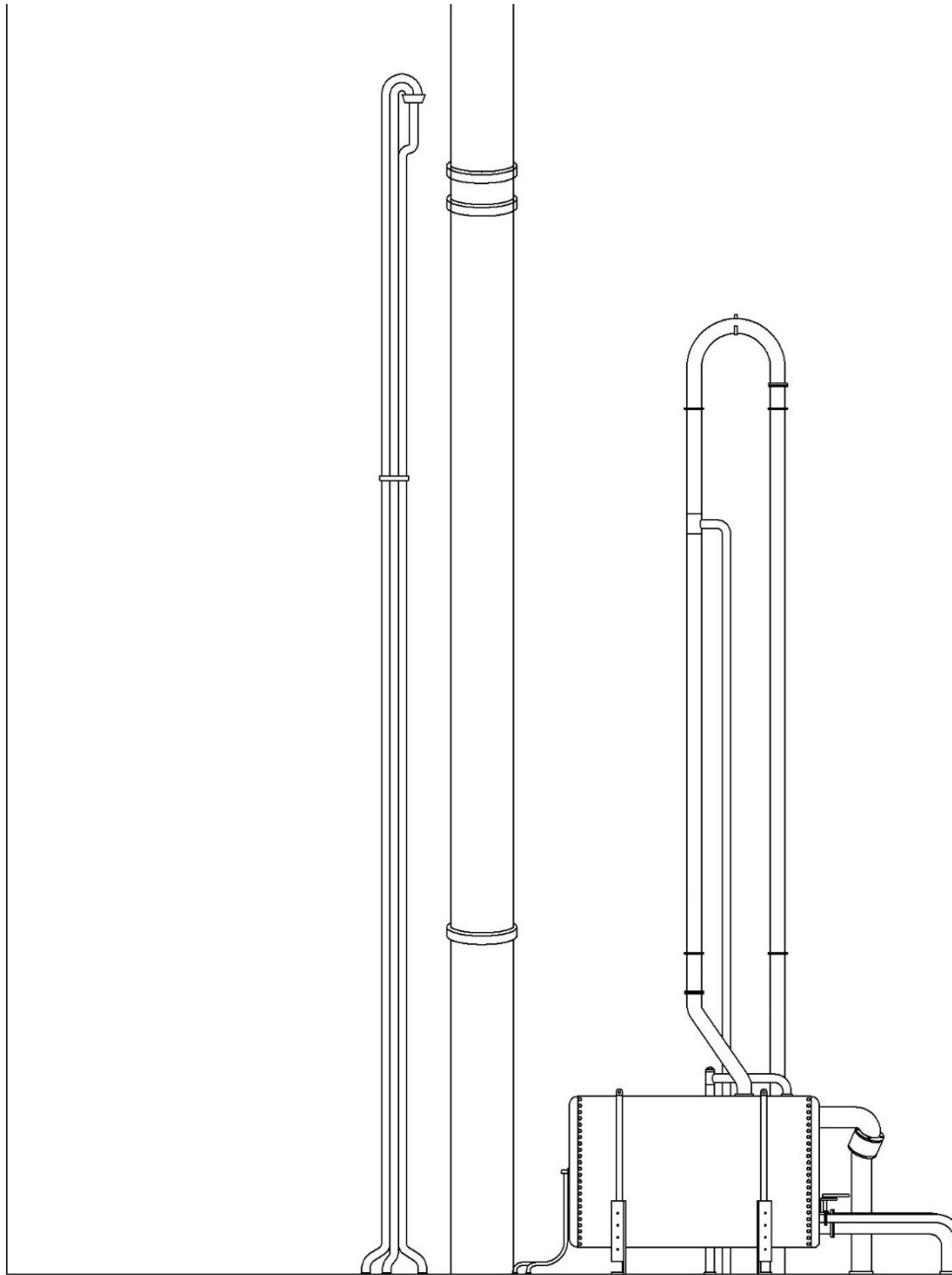


Figure 4

Elevation of water tank showing connections to pipe loop on 1<sup>st</sup> funnel

Figure 5 shows an elevation of the water tank from starboard looking inboard.

Go to next page

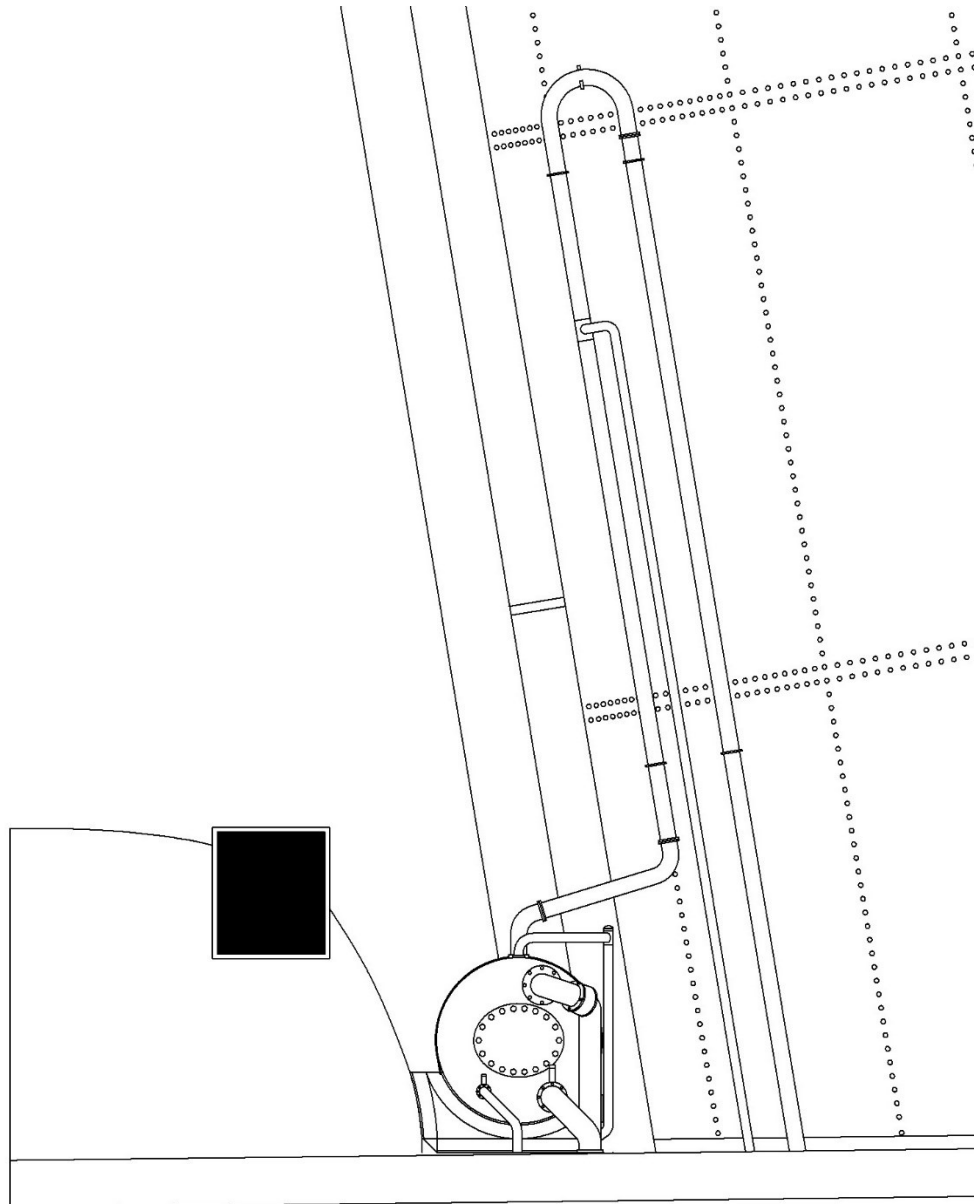


Figure 5

Elevation of water tank from starboard looking inboard

Figure 6 is a plan view of the water tank.

Go to next page

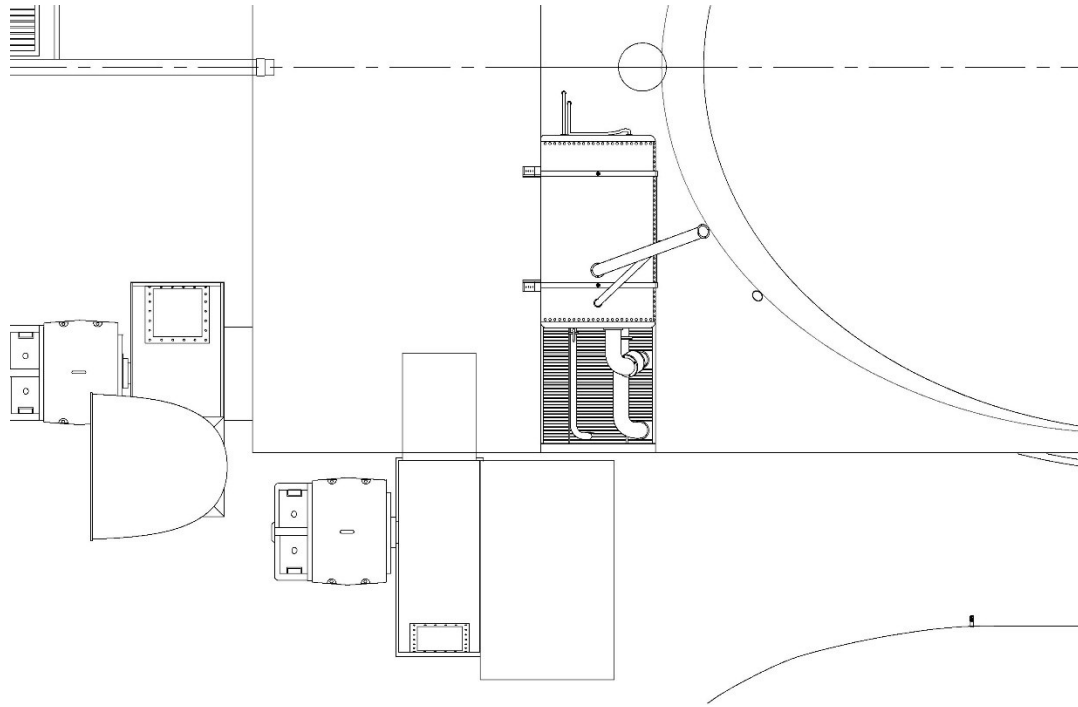


Figure 6

Plan view of water tank

## Conclusion

This brief article has provided updated drawings of *Titanic's* water tank aft and to starboard of her first funnel. These drawings have been based on the best available wreck photos which unfortunately I am not at liberty to share.